

MAGICART

How to be A Global Leader in Services?

Many of us are facing after-sales trouble no matter private or governmental control company, time is invaluable and most worrying for us. Once the machine shut down, the production shut down either, and we start to lose money quickly and come to an operation crisis So what we do here?

- ◆ Fast Action in Services
- ◆ Unconditional Parts Supply
- ◆ Strong Professionalism
- ◆ Spotless Satisfaction

This is how MAGICART started to make business. What we do is giving the fastest services after supplying high-quality level products.

XINXIANG MAGICART CRANES CO. LTD

新乡市魔工起重机有限公司

Email: info@magicartcranes.com

Tel: +86 373 5853707 +86 373 5853727

www.magicartcranes.com

info@magicartcranes.com

地址：中国-河南省新乡市公元国际#1523

About Us

MAGICART is a leading manufacturer and service provider of cranes and material handling equipment, dedicated to the R & D, design, manufacturing, installation and service of cranes and material handling technology.

MAGICART owns comprehensive products, reliable quality, excellent performance, efficient service. The products are distributed in more than 30 countries and regions around the world. It is widely used in more than 20 professional fields, such as equipment manufacturing, logistics, energy, electric power, shipbuilding, metallurgy, ports, infrastructure, metal processing, hydropower stations, automobile manufacturing, and aerospace.

MAGICART's main products are overhead crane, gantry crane, rubber tyred gantry crane, portal jib crane, dock arm, jib crane, electric hoist, customized crane system and lifting accessories. MAGICART has saved customers huge cost in machine purchase and life cycle operating after long-term technological innovation.

Through long-term unremitting efforts , MAGICART will provide clients with the best cost-effective products to fulfill its mission: **promote client's business!**

- **Electric Hoist**
(Economic type)



CD₁、MD₁ 电动葫芦

CD₁ MD₁ Type electric hoist

简介 Brief Introduction

CD₁型、MD₁型钢丝绳电动葫芦是一种轻小型起重设备，它可以安装在葫芦单梁、桥式起重机、门式起重机、悬臂起重机上。稍加改动，还可作卷扬用。因此，它是工厂、矿山、港口、仓库、货场、商店等常用的起重设备之一，是提高劳动效率，改善劳动条件的必备机械。

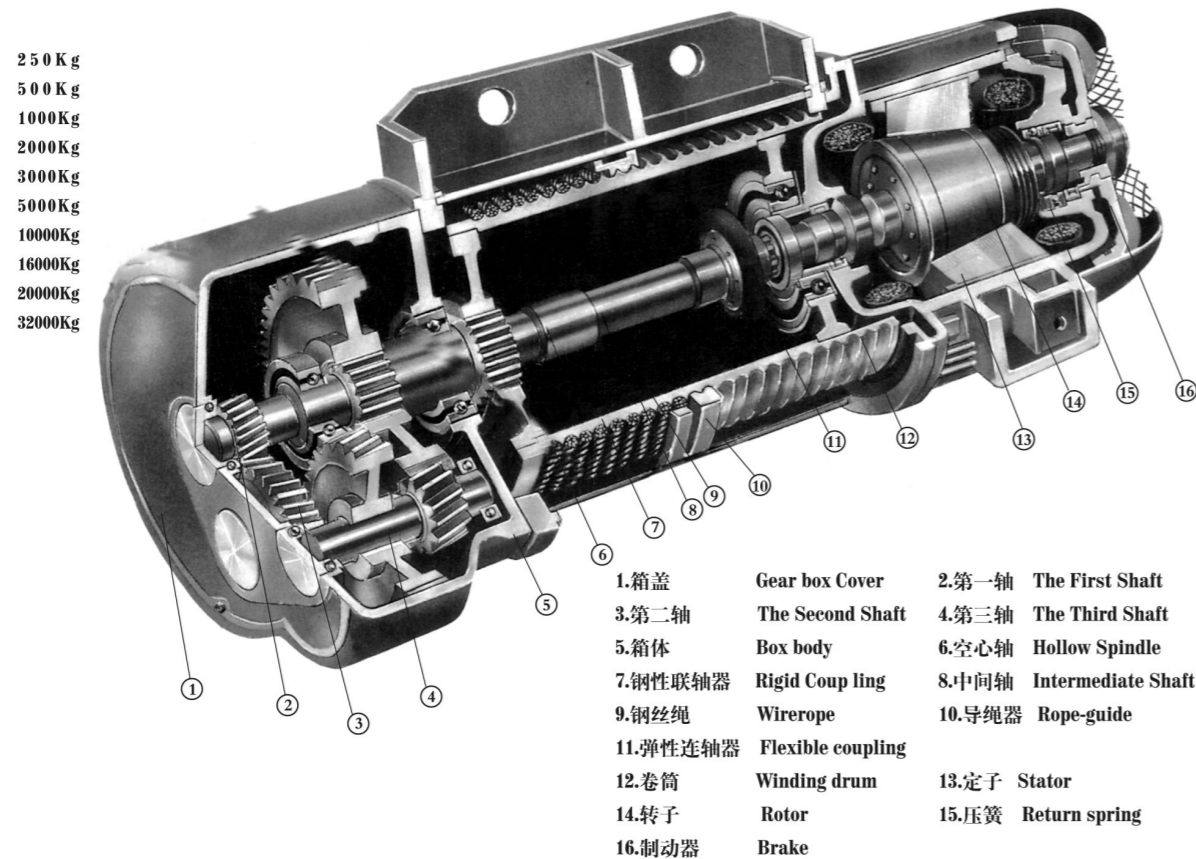
CD₁型电动葫芦的起升速度为常速，可以满足一般使用要求；MD₁型电动葫芦具有两种起升速度——常速和慢速。慢速工作时，可以满足精密装卸，砂箱合模，机床检修等精细作业的要求。所以，MD₁型电动葫芦的适用范围比CD₁型电动葫芦更为广泛。

为满足较大吨位起重作业的要求，我厂还生产HC16t、HC20t、HC32t、SHC40t、SHC50t、SHC63t电动葫芦。

Model CD₁, MD₁ Wire Rope Electric Hoist is a small-sized lifting equipment, which can be mounted on single beam, bridge, gant y and Jib cranes, With slight modification, it can also be used as a winch. It is widely used in factories, mines, harbours, warehouses, cargo storage areas and shops, essential in raising working efficiency and improving working conditions.

Model CD₁ Electric Hoist has only one normal speed, which can satisfy normal application, Model MD₁ Electric Hoist provides two speeds; normal speed and low speed, At a low speed, it can do precise loading and unloading, mounding of sand box, maintenance of machine tools, etc. Thus Model MD₁ Electric Hoists is more widely used than Model CD₁.

To meet the needs of lifting heavier cargo, our factory also manufactures HC16t, HC20t, HC32t, SHC40t, SHC50t, SHC63t Electric hoists



- 250 Kg
- 500 Kg
- 1000 Kg
- 2000 Kg
- 3000 Kg
- 5000 Kg
- 10000 Kg
- 16000 Kg
- 20000 Kg
- 32000 Kg

- 1.箱盖 Gear box Cover
- 2.第一轴 The First Shaft
- 3.第二轴 The Second Shaft
- 4.第三轴 The Third Shaft
- 5.箱体 Box body
- 6.空心轴 Hollow Spindle
- 7.刚性联轴器 Rigid Coupling
- 8.中间轴 Intermediate Shaft
- 9.钢丝绳 Wire rope
- 10.导绳器 Rope-guide
- 11.弹性联轴器 Flexible coupling
- 12.卷筒 Winding drum
- 13.定子 Stator
- 14.转子 Rotor
- 15.压簧 Return spring
- 16.制动器 Brake

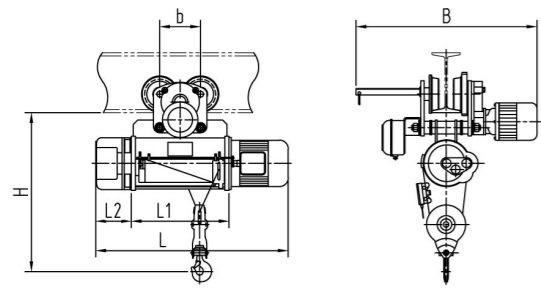
CD₁、MD₁ 电动葫芦

CD₁ MD₁ Type electric hoist

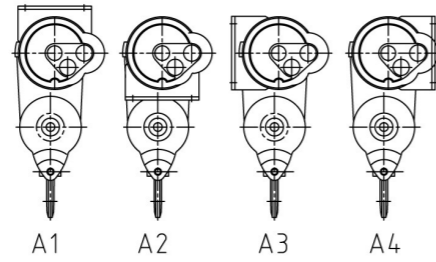
型号	Type	CD ₁ 、MD ₁																			
		0.5		1		2		3		5		10		16							
起重量	Capacity(t)	6	9	12	6	9	12	18	24	30	6	9	12	18	24	30	9	12	18	24	30
起升高度	Hoisting speed	8(0.8/8)																			
起升速度	Hoisting speed (m/min)	7 (0.7/7)																			
运行速度	Travel speed (m/min)	18																			
钢丝绳	Dia(mm)	4.8																			
运行轨道	Specification	6x37+FC																			
最小曲率半径	Track	16-28b																			
起升	Min curvature radius(m)	20a-28b																			
电	Type	25a-45a																			
机	功率	32b-63c																			
运	转速	ZD,21-4																			
行	电流	ZD,22-4																			
电	型号	ZD,31-4																			
机	功率	ZD,41-4																			
结合次数	转速	ZD,51-4																			
工作制度	电流	ZD,51-4																			
电源	No.of Connecting (次)	ZD,51-4																			
工作系统	Working system	ZD,51-4																			
电源	Power source	ZD,51-4																			
L	基本尺寸	ZD,51-4																			
L1	尺寸	ZD,51-4																			
L2	尺寸	ZD,51-4																			
L3	尺寸	ZD,51-4																			
L4	尺寸	ZD,51-4																			
B	尺寸	ZD,51-4																			
H	尺寸	ZD,51-4																			
d	尺寸	ZD,51-4																			
b	尺寸	ZD,51-4																			
自重	Crane weight(kg)	ZD,51-4																			
CD ₁		ZD,51-4																			
MD ₁		ZD,51-4																			
CD ₁ 固		ZD,51-4																			
MD ₁ 固		ZD,51-4																			

CD₁、MD₁ 电动葫芦

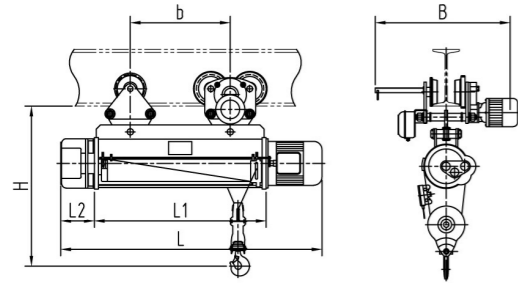
CD₁ MD₁ Type electric hoist



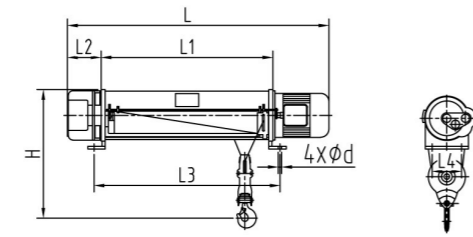
CD₁/MD₁ 0.25-5吨 (H=6-9米)
Model CD₁/MD₁ 0.25-5t (H=6-9m)



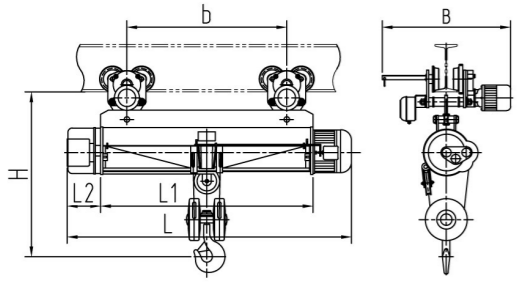
CD₁/MD₁型固定式
Model CD₁/MD₁ Stationary



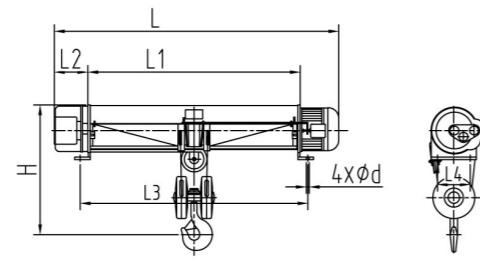
CD₁/MD₁ 0.5-5吨 (H=12-30米)
Model CD₁/MD₁ 0.5-5t (H=12-30m)



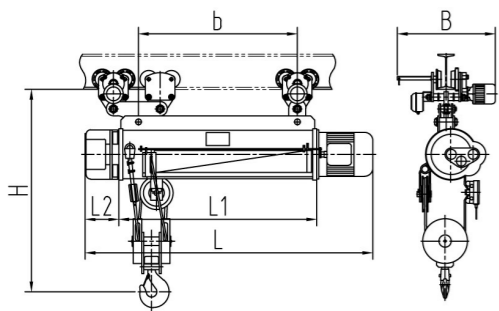
CD₁/MD₁ 固定式0.5-5吨 (H=12-30米)
Model CD₁/MD₁ Stationary 0.5-5t (H=12-30m)



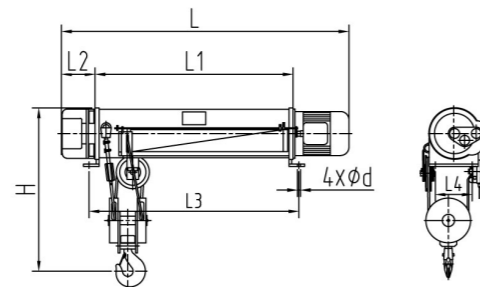
CD₁/MD₁ 10吨 (H=9-30米)
Model CD₁/MD₁ 10t (H=9-30m)



CD₁/MD₁ 固定式 10吨 (H=9-30米)
Model CD₁/MD₁ Stationary 10t (H=9-30m)



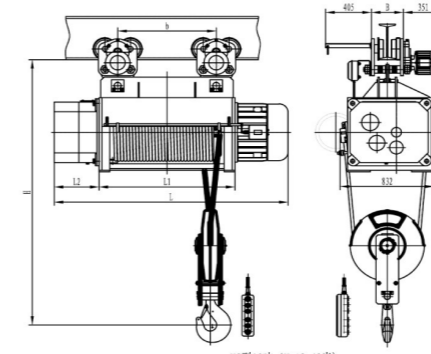
CD₁/MD₁ 16吨 (H=9-30米)
Model CD₁/MD₁ 16t (H=9-30m)



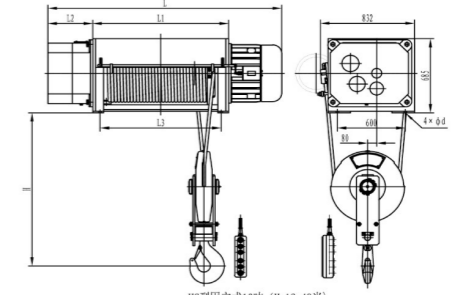
CD₁/MD₁ 固定式 16吨 (H=9-30米)
Model CD₁/MD₁ Stationary 16t (H=12-30m)

HC 电动葫芦

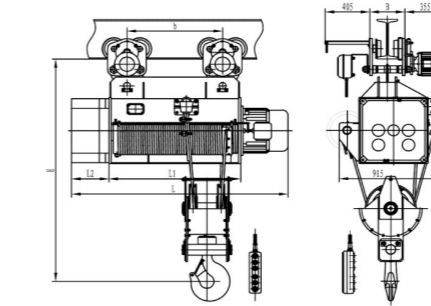
HC Electric hoist



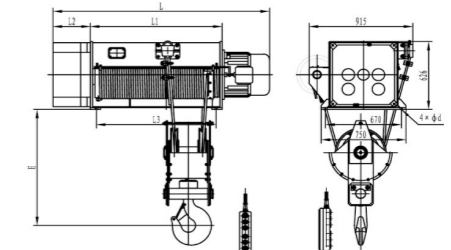
HC型16吨 (H=12-48米)
Model HC 16T (Hoisting 12-48m)



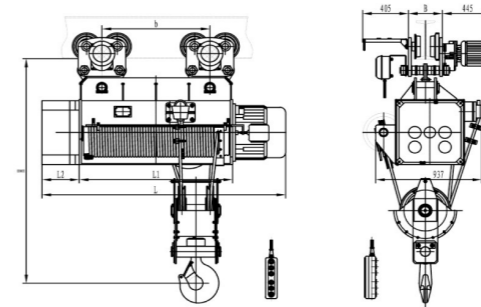
HC型固定式16吨 (H=12-48米)
Model HC Stationary 16T (Hoisting 12-48m)



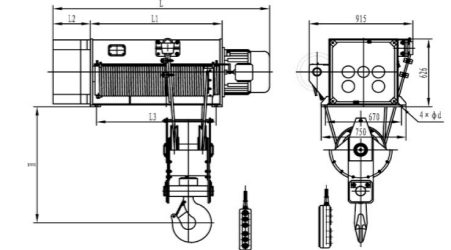
HC_s 型16吨 (H=9-36米)
Model HC_s 16T (Hoisting 9-36m)



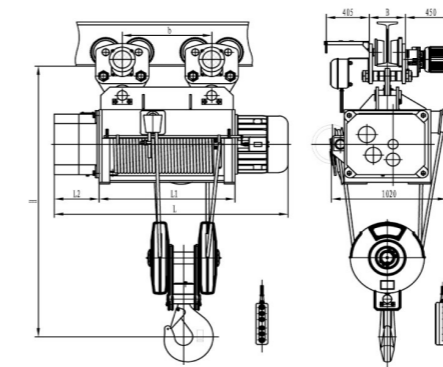
HC_s 型固定式16吨 (H=9-36米)
Model HC_s Stationary 16T (Hoisting 9-36m)



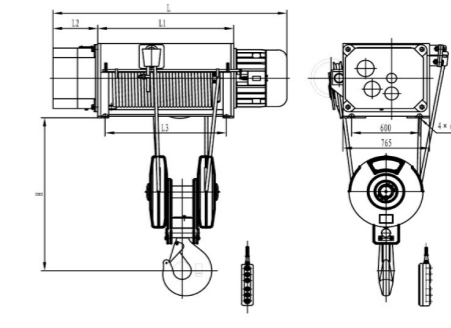
HC_s 型20吨 (H=9-30米)
Model HC_s 20T (Hoisting 9-30m)



HC_s 型固定式20吨 (H=9-30米)
Model HC_s Stationary 20T (Hoisting 9-30m)



HC型32吨 (H=9-24米)
Model HC 32T (Hoisting 9-24m)



HC型固定式32吨 (H=9-24米)
Model HC Stationary 32T (Hoisting 9-24m)

HC电动葫芦

HC Electric hoist

起重量 Type	16						20						32																								
	HC			HC _u			HC			HC _u			HC			HC																					
起升高度 Hoisting height(m)	12	16	24	32	36	42	48	9	12	15	18	21	24	27	30	33	36	9	12	15	18	21	24	27	30	9	12	16	20	24							
起升速度 Hoisting speed(m/min)	6 (0.6/6)						4.2 (0.42/4.2)						3.3 (0.33/3.3)						3 (0.3/3)																		
运行速度 Travel speed(m/min)	18						17.5						14						16																		
绳径 Dia(mm)	26						17.5						14						26																		
绳结构 Specification	50a-63c						50a-63c						56a-63c						63c以上																		
运行轨道 Track	ZDX02-6(ZDS)						ZD51-4(ZDS)						ZD32-4(ZDS)						ZDX02-4(ZDS)																		
最小曲率半径 Min curvature radius(m)	18.5(2.2/18.5)						13(1.5/13)						18.5(2.2/18.5)						18.5(2.2/18.5)																		
起升电机 Type	960						1400						42						960																		
功率 Power(RW)	43						30(5.2/30)						42						43																		
转速 Rotation speed(r/min)	ZDY21-4						ZDY21-4						ZDY21-4(D)						ZDY22-4(D)																		
电流 Current(A)	0.8						1380						0.8						1.5																		
结合次数 No. of connecting(times)	2.4						2.4						2.4						4.3																		
工作制度 Working system	120						120						120						120																		
电源 Power source	中级交流 Three phase AC 380V 50Hz						中级交流 Three phase AC 380V 50Hz						中级交流 Three phase AC 380V 50Hz						中级交流 Three phase AC 380V 50Hz																		
L	1666	1811	2106	2391	2546	2766	2986	1646	1735	1913	2091	2269	2447	2625	2803	2981	1815	1875	1945	2015	2085	2155	2225	2295	1747	1942	2158	2364	2570	2786	2997	3208	1913	2127	2412	2697	2982
L1	810	955	1250	1535	1690	1910	2130	808	986	1164	1342	1520	1698	1876	2054	2232	2110	1004	1237	1708	2169	948	1143	1354	1565	1776	1987	2198	2409	1056	1270	1555	1844	2125			
L2	685	830	1125	1410	1565	1785	2005	700	878	1056	1234	1412	1590	1768	1946	2124	2302	858	1091	1557	2023	840	1035	1246	1457	1668	1879	2090	2301	916	1130	1415	1700	1985			
L3	505	650	945	1230	1385	1605	1825	488	666	844	1022	1200	1378	1556	1734	1912	2090	604	837	1303	1769	548	743	954	1165	1376	1587	1798	2009	656	870	1155	1440	1725			
L4	2600(1300)						2300(1300)						2500(1300)						2500(1500)																		
b	288-310						288-310						306-320						288-310																		
B	2600(1300)						2300(1300)						2500(1300)						2500(1500)																		
H	25						25						25						25																		
d	2100						2100						2100						2100																		
自重 ±10%	1700						1700						1700						1700																		

YH_{II}冶金电动葫芦

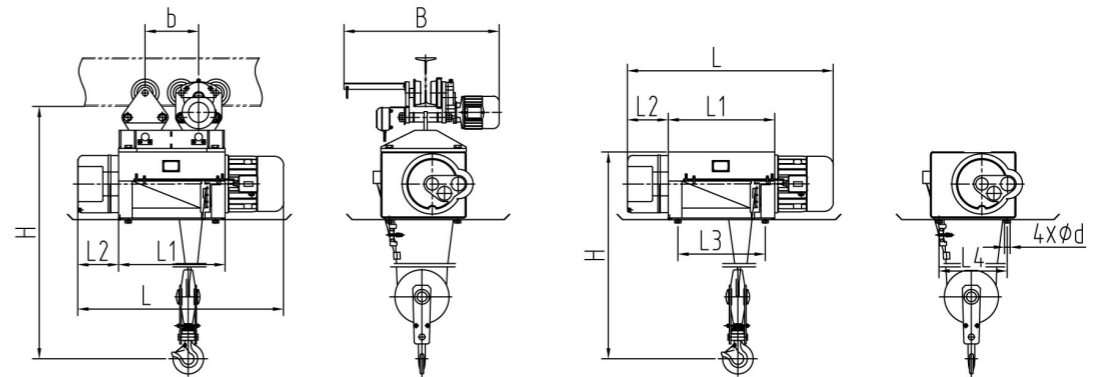
YH_{II} Metallurgy electric hoist

简介:

- 1、冶金电动葫芦主要用于吊运熔融金属
- 2、起重量≤10t, 起升高度≤20m, 工作环境温度-20~60℃.
- 3、具有双制动、双限位、隔热板等多种保护功能。

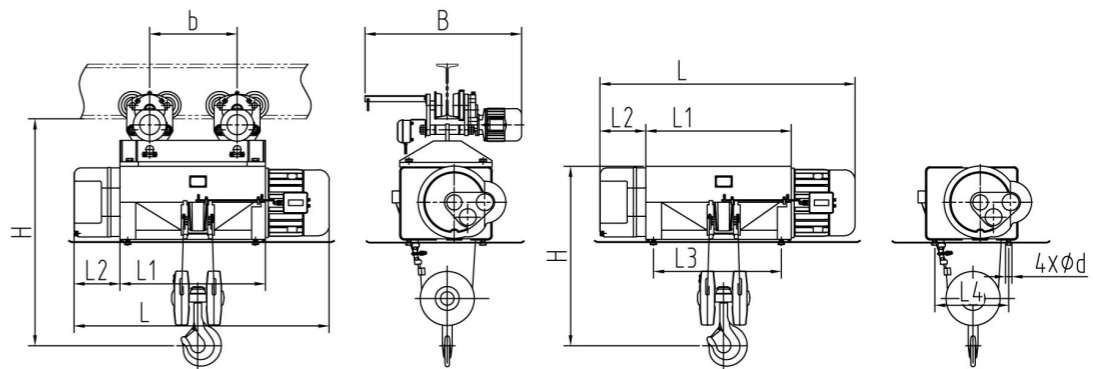
Brief introduction:

- 1、Metallurgical electric hoist mainly used for lifting molten metal
- 2、Lifting capacity ≤10t, Lifting height≤20m, Work environment temperature-20~60℃.
- 3、With double brakes, double limits, thermal baffle felt etc. many kinds of protection functions.



YH_{II} 2-5吨 (H=9-20米)
Model YH_{II} 2-5t (H=9-20m)

YH_{II} 固定式2-5吨 (H=9-20米)
Model YH_{II} Stationary 2-5t (H=9-20m)



YH_{II} 10吨 (H=9-20米)
Model YH_{II} 10t (H=9-20m)

YH_{II} 固定式10吨 (H=9-20米)
Model YH_{II} Stationary 10t (H=9-20m)

YH_{II} 冶金电动葫芦

YH_{II} Metallurgy electric hoist

起重量	Capacity(t)	2					3					5					10								
型号	Type	YH _{II}																							
起升高度	Hoisting height (m)	9	12	15	18	20	9	12	15	18	20	9	12	15	18	20	9	12	15	18	20				
起升速度	Hoisting speed (m/min)	8 (8/2)										7(7/1.75)													
运行速度	Travel speed (m/min)	20																							
钢丝绳	Dia(mm)	11					13					15													
绳结构	Specification	6x37+IWR																							
运行轨道	Track	20a-28b										25a-45a					32b-45a								
最小曲率半径	Min curvature radius (m)	2	3	4	5	6	2	3	4	5	6	2.5	3	4	5	6	3.5	4	6	7.5	9				
起升电机	型号	ZD,31-4(ZDD32-4/16)					ZD,32-4(ZDD41-4/16)					ZD,41-4(ZDD51-4/16)					ZD,51-4(ZDD52-4/16)								
	功率	3.0(3.0/0.75)					4.5(4.5/1.25)					7.5(7.5/2.0)					13(13/3.25)								
	转速	1380/345					1380/290					1400/345					1400/300								
	电流	7.6(6.5/7.1)					11(13.1/12.8)					18(18/17.5)					30(30/31)								
运行电机	型号	ZDY,12-4										ZDY,21-8					ZDY,21-8								
	功率	0.4										0.8					0.8x2								
	转速	1380																							
	电流	1.25										2.4													
结合次数	No.of connecting (次)	300																							
工作制度	Working system	FC=50%																							
电源	Power source	三相交流 Three phase AC 380V 50Hz																							
基本尺寸	L	1044	1147	1250	1353	1424	1110	1213	1316	1419	1490	1256	1356	1456	1556	1626	1647	1828	2009	2190	2310				
	L1	559	662	765	868	939	559	662	765	868	939	600	700	800	900	970	950	1131	1312	1493	1613				
	L2	192					234					272					278								
	L3	439	542	645	748	819	439	542	645	748	819	470	570	670	770	840	825	1006	1187	1368	1488				
	L4	362					362					448					486								
	b	205	332	435	538	609	205	332	435	539	609	228	352	452	552	622	574	755	936	1117	1237				
	B	950										1055													
	H	1300					1315					1400					1590					1600			
d	25																								
自重 ±10%	运行 Operate	Crane Weight (kg)																							
	固定 Fix	439	457	479	494	505	475	493	515	530	541	679	752	776	794	809	1169	1221	1282	1326	1396				
		409	427	449	464	475	445	463	485	500	511	644	717	741	759	774	1129	1181	1242	1286	1356				

HB 型防爆钢丝绳电动葫芦

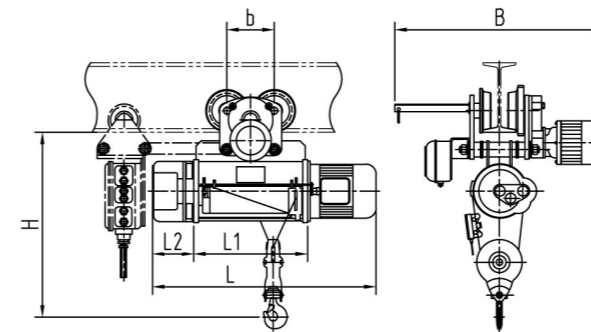
HB Model explosion-proof steel wire rope electric hoist

简介:

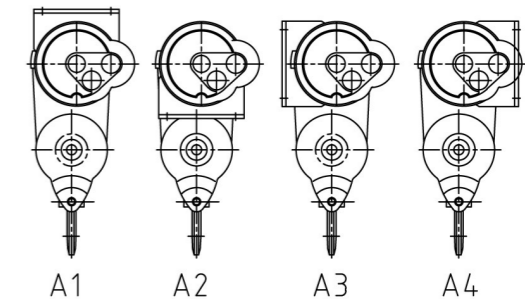
- 1、HB防爆钢丝绳电动葫芦为系列产品，机械结构与普通CD、HC电动葫芦一致。
- 2、防爆标志分别为ExdIIBT4、ExdIICT4、DIPA21TA,T4及Exd I Mb。
- 3、工作级别为M3,工作环境温度为一20℃~40℃。

Brief introduction:

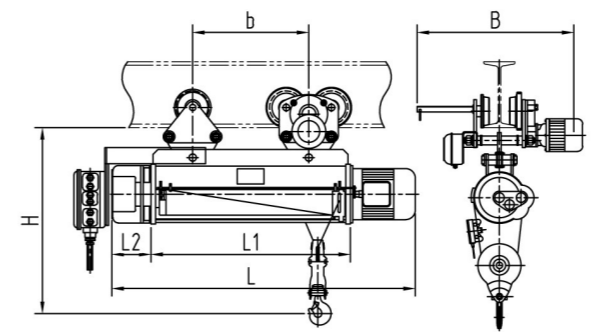
- 1.The mechanical structure for Series of HB Explosion-proof electric hoists is same with common CD,HC electric hoists.
- 2.For each of the Explosion-proof sign is ExdIIBT4, ExdIICT4, DIPA21TA,T4 and Exd I Mb.
3. Working class M3, Work enviroment temperature-20~40℃.



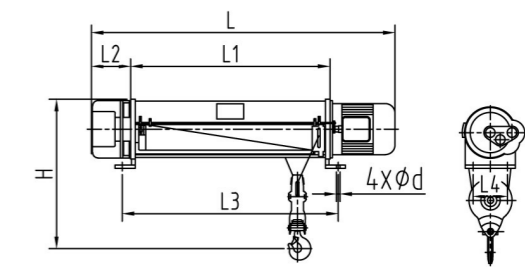
HB 0.25-5吨 (H=6-9米)
Model HB 0.25-5t (H=6-9m)



HB型固定式
Model HB Stationary



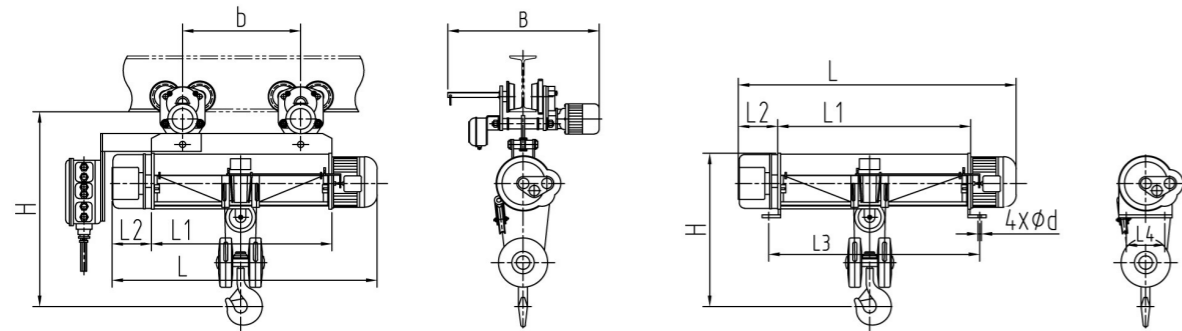
HB 0.5-5吨 (H=12-30米)
Model HB 0.5-5t (H=12-30m)



HB 固定式0.5-5吨 (H=12-30米)
Model HB Stationary 0.5-5t (H=12-30m)

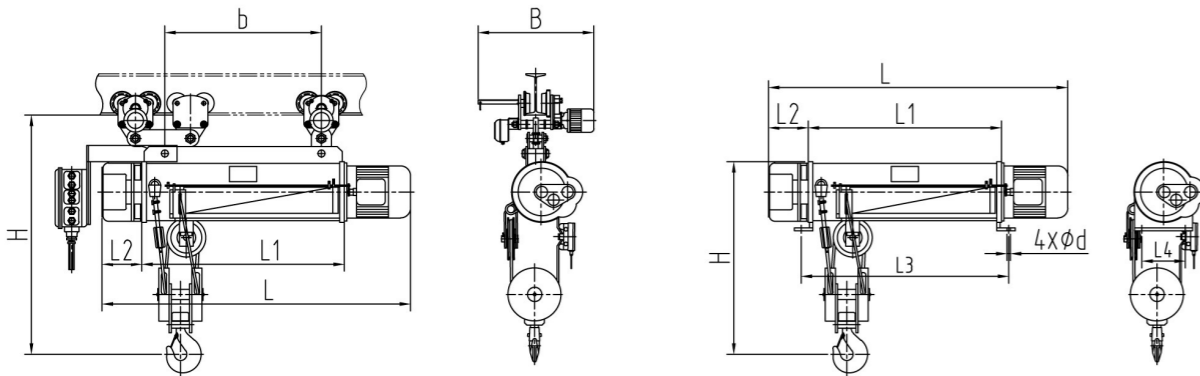
HB 型防爆钢丝绳电动葫芦

HB Model explosion-proof steel wire rope electric hoist



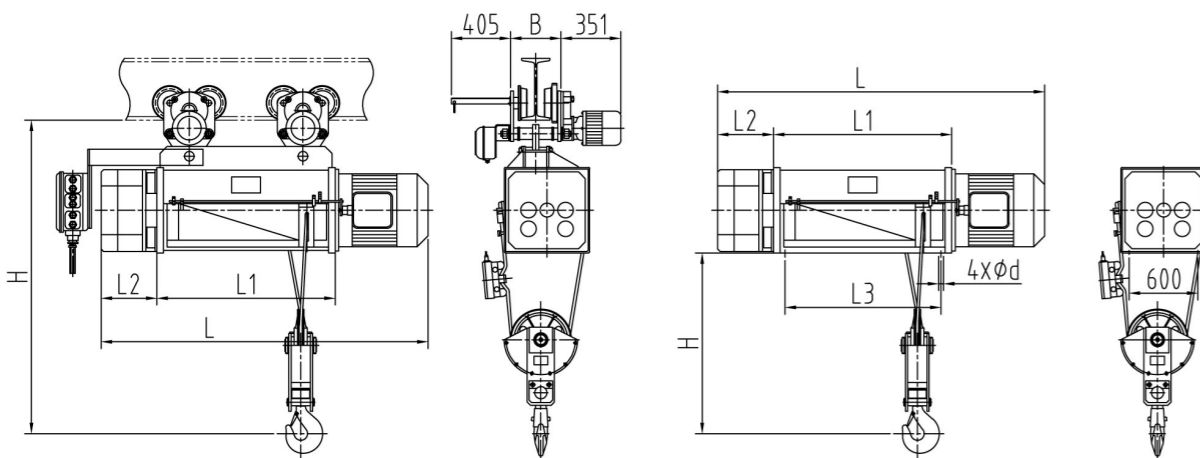
HB 10吨 (H=9-30米)
Model HB 10t (H=9-30m)

HB固定式 10吨 (H=9-30米)
Model HB Stationary 10t (H=9-30m)



HB 16吨 (H=9-30米)
Model HB 16t (H=9-30m)

HB 固定式 16吨 (H=9-30米)
Model HB Stationary 16t (H=12-30m)

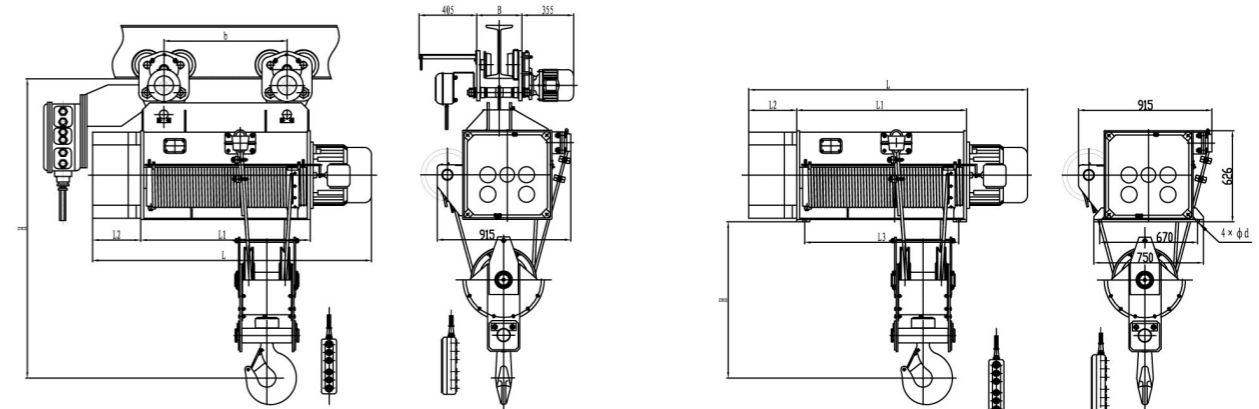


HB 16吨 (H=12-48米)
Model HB 16t (H=12-48m)

HB 固定式 16吨 (H=12-48米)
Model HB Stationary 16t (H=12-48m)

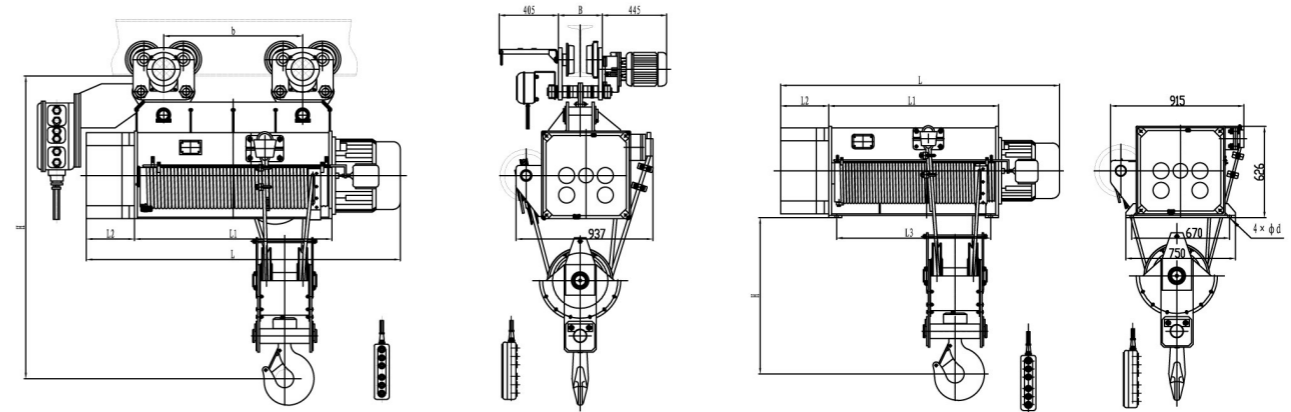
HB 型防爆钢丝绳电动葫芦

HB Model explosion-proof steel wire rope electric hoist



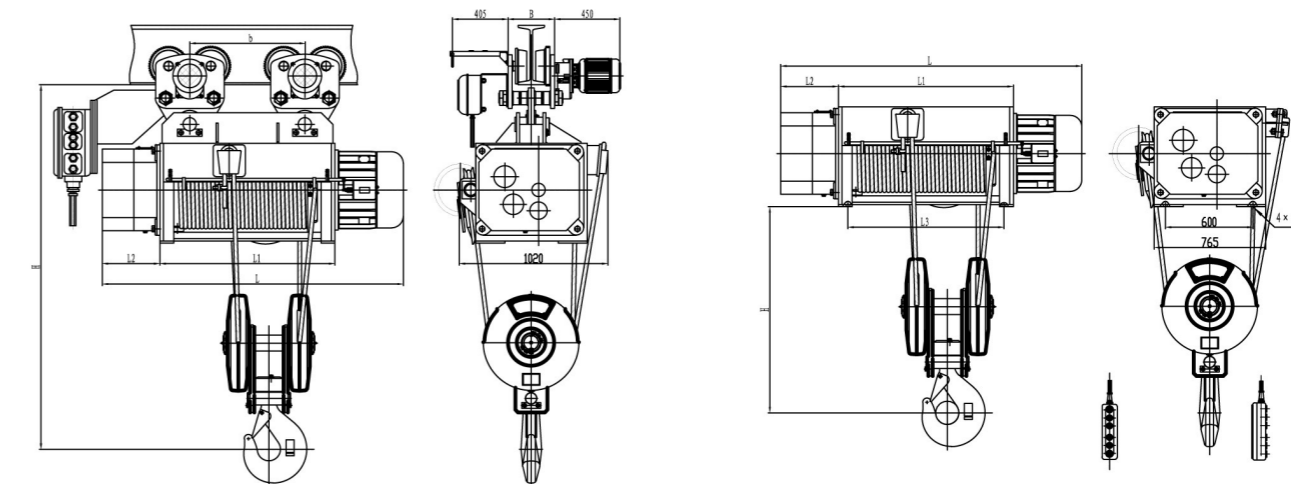
HB_n 型16吨 (H=9-36米)
Model HB_n 16T (Hoisting 9-36m)

HB_n 固定式16吨 (H=9-36米)
Model HB_n Stationary 16T (Hoisting 9-36m)



HB_n 型20吨 (H=9-30米)
Model HB_n 20T (Hoisting 9-30m)

HB_n 固定式20吨 (H=9-30米)
Model HB_n Stationary 20T (Hoisting 9-30m)



HB_n 型32吨 (H=9-24米)
Model HB_n 32T (Hoisting 9-24m)

HB_n 固定式32吨 (H=9-24米)
Model HB_n Stationary 32T (Hoisting 9-24m)

HB 型防爆钢丝绳电动葫芦

HB Model explosion-proof steel wire rope electric hoist

HB Model explosion-proof steel wire rope electric hoist

HB Model explosion-proof steel wire rope electric hoist

型号	HB(Exd)IBT4,ExdIICT4															
	0.5		1		2		3		5		10		16			
起重量	6		9		12		18		24		30		36			
起升高度	6		9		12		18		24		30		36			
起升速度	8(0.8/8)		8(0.8/8)		8(0.8/8)		8(0.8/8)		8(0.8/8)		8(0.8/8)		8(0.8/8)			
运行速度	20/30		20/30		20/30		20/30		20/30		20/30		20/30			
钢丝绳	4.8		7.4		11		13		15		17.5		18			
运行轨道	16-28b		16-28b		16-28b		16-28b		16-28b		16-28b		16-28b			
最小曲率半径	1.5		2		2.5		3		4		5		6			
起升电机	BZD.21-4		BZD.22-4		BZD.31-4		BZD.32-4		BZD.41-4		BZD.51-4		BZD.51-4			
运行电机	BZDS.0.4/0.8		BZDS.0.4/1.5		BZDS.0.4/3.0		BZDS.0.4/4.5		BZDS.0.8/7.5		BZDS.2.2/13		BZDS.2.2/13			
结合次数	0.8(0.4/0.8)		1.5(0.4/1.5)		3.0(0.4/3.0)		4.5(0.4/4.5)		7.5(0.8/7.5)		13(2.2/13)		13(2.2/13)			
工作制度	1380		1380		1380		1380		1380		1380		1380			
电 源	2.4(0.72/2.4)		4.3(0.72/4.3)		7.6(1.25/7.6)		11(1.25/11)		18(2.4/18)		30(5.2/30)		30(5.2/30)			
基 本 尺 寸	BZDY.11-4		BZDY.11-4		BZDY.12-4		BZDY.12-4		0.4		0.8		0.8x2			
自 重	0.2		0.2		0.4		0.4		0.8		0.8		2.4x2			
电 源	0.72		1.25		2.4		2.4		2.4		2.4		2.4x2			
工作系统	120		120		120		120		120		120		120			
电 源	中级 intermediate		中级 intermediate		中级 intermediate		中级 intermediate		中级 intermediate		中级 intermediate		中级 intermediate			
电 源	FC=25%		FC=25%		FC=25%		FC=25%		FC=25%		FC=25%		FC=25%			
电 源	三相交流 Three-phase AC 380V 50Hz		三相交流 Three-phase AC 380V 50Hz		三相交流 Three-phase AC 380V 50Hz		三相交流 Three-phase AC 380V 50Hz		三相交流 Three-phase AC 380V 50Hz		三相交流 Three-phase AC 380V 50Hz		三相交流 Three-phase AC 380V 50Hz			
L	616	688	760	832	904	976	1048	1120	1192	1264	1336	1408	1480	1552		
L1	274	346	418	490	562	634	706	778	850	922	994	1066	1138	1210		
L2	132	159	188	233	268	302	336	370	404	438	472	506	540	574		
L3	318	390	462	534	606	678	750	822	894	966	1038	1110	1182	1254		
L4	190	196	240	264	300	324	348	372	396	420	444	468	492	516		
B	884	667	767	840	950	954	1058	1120	1183	1350	2100	25(37)	25(37)	25(37)		
H	17	20	25	25	25	25	25	25	25	25	25	25	25	25		
d	185	185	270	470	660	860	205	320	530	730	940	228	340	550		
CDI	171	175	180	187	195	222	238	254	270	271	282	335	359	382		
MD1	238	242	247	264	274	299	315	331	347	356	367	420	444	461		
CDI 固	139	144	149	155	162	170	185	209	215	216	229	236	259	279		
MD1 固	206	211	216	232	240	247	262	277	292	301	311	321	344	364		

起重量	HB(Exd)IBT4,ExdIICT4															
	16		20		24		30		36		42		48		54	
起升高度	12		16		20		24		28		32		36		40	
起升速度	6 (0.6/6)		6 (0.6/6)		6 (0.6/6)		6 (0.6/6)		6 (0.6/6)		6 (0.6/6)		6 (0.6/6)		6 (0.6/6)	
运行速度	18		18		18		18		18		18		18		18	
钢丝绳	26		26		26		26		26		26		26		26	
运行轨道	50a-63c		50a-63c		50a-63c		50a-63c		50a-63c		50a-63c		50a-63c		50a-63c	
最小曲率半径	3		3		3		3		3		3		3		3	
起升电机	BZD62-6(BZDS)		BZD62-6(BZDS)		BZD62-6(BZDS)		BZD62-6(BZDS)		BZD62-6(BZDS)		BZD62-6(BZDS)		BZD62-6(BZDS)		BZD62-6(BZDS)	
运行电机	18.5(2.2/18.5)		18.5(2.2/18.5)		18.5(2.2/18.5)		18.5(2.2/18.5)		18.5(2.2/18.5)		18.5(2.2/18.5)		18.5(2.2/18.5)		18.5(2.2/18.5)	
结合次数	960		960		960		960		960		960		960		960	
工作系统	43		43		43		43		43		43		43		43	
电 源	BZDY.21-4		BZDY.21-4		BZDY.21-4		BZDY.21-4		BZDY.21-4		BZDY.21-4		BZDY.21-4		BZDY.21-4	
基 本 尺 寸	0.8x2		0.8x2		0.8x2		0.8x2		0.8x2		0.8x2		0.8x2		0.8x2	
自 重	2.4		2.4		2.4		2.4		2.4		2.4		2.4		2.4	
电 源	1380		1380		1380		1380		1380		1380		1380		1380	
工作系统	120		120		120		120		120		120		120		120	
电 源	中级 Intermediate		中级 Intermediate		中级 Intermediate		中级 Intermediate		中级 Intermediate		中级 Intermediate		中级 Intermediate		中级 Intermediate	
电 源	FC=25%		FC=25%		FC=25%		FC=25%		FC=25%		FC=25%		FC=25%		FC=25%	
电 源	三相交流 Three phase AC 380V 50Hz		三相交流 Three phase AC 380V 50Hz		三相交流 Three phase AC 380V 50Hz		三相交流 Three phase AC 380V 50Hz		三相交流 Three phase AC 380V 50Hz		三相交流 Three phase AC 380V 50Hz		三相交流 Three phase AC 380V 50Hz		三相交流 Three phase AC 380V 50Hz	
L	1666	1811	2106	2391	2546	2766	2986	3206	3426	3646	3866	4086	4306	4526	4746	4966
L1	810	955	1250	1535	1690	1910	2130	2350	2570	2790	3010	3230	3450	3670	3890	4110
L2	685	830	1125	1410	1565	1785	2005	2225	2445	2665	2885	3105	3325	3545	3765	3985
L3	505	650	945	1230	1385	1605	1825	2045	2265	2485	2705	2925	3145	3365	3585	3805
L4	2600	1300	2600	1300	2600	1300	2600	1300	2600	1300	2600	1300	2600	1300	2600	1300
b	288	310	288	310	288	310	288	310	288	310	288	310	288	310	288	310
B	2600	1300	2600	1300	2600	1300	2600	1300	2600	1300	2600	1300	2600	1300	2600	1300
H	25	25	25	25	25	25	25	25	25	25	25	25	25	25	25	25
d	2300	2400	2600	2750	2850	3000	3100	3200	3300	3400	3500	3600	3700	3800	3900	4000
运行	1850	1950	2150	2300	2375	2550	2650	2700	2800	2850	2900	3000	3100	3200	3300	3400
自重	±10%	±10%	±10%	±10%	±10%	±10%	±10%	±10%	±10%	±10%	±10%	±10%	±10%	±10%	±10%	±10%
固定	±10%	±10%	±10%	±10%	±10%	±10%	±10%	±10%	±10%	±10%	±10%	±10%	±10%	±10%	±10%	±10%
Fix	±10%	±10%	±10%	±10%	±10%	±10%	±10%	±10%	±10%	±10%	±10%	±10%	±10%	±10%	±10%	±10%

Why our proposal is so attractive?

Technology Advantages

- Advanced technology in crane structure design
- Advanced electric & hydraulic control system



Reliable Fast Services

- Solve-trouble firstly in company rules
- Professional & fast action in solution



Excellent Performance

- 100% performance tested in factory
- Continuous performance optimized plan



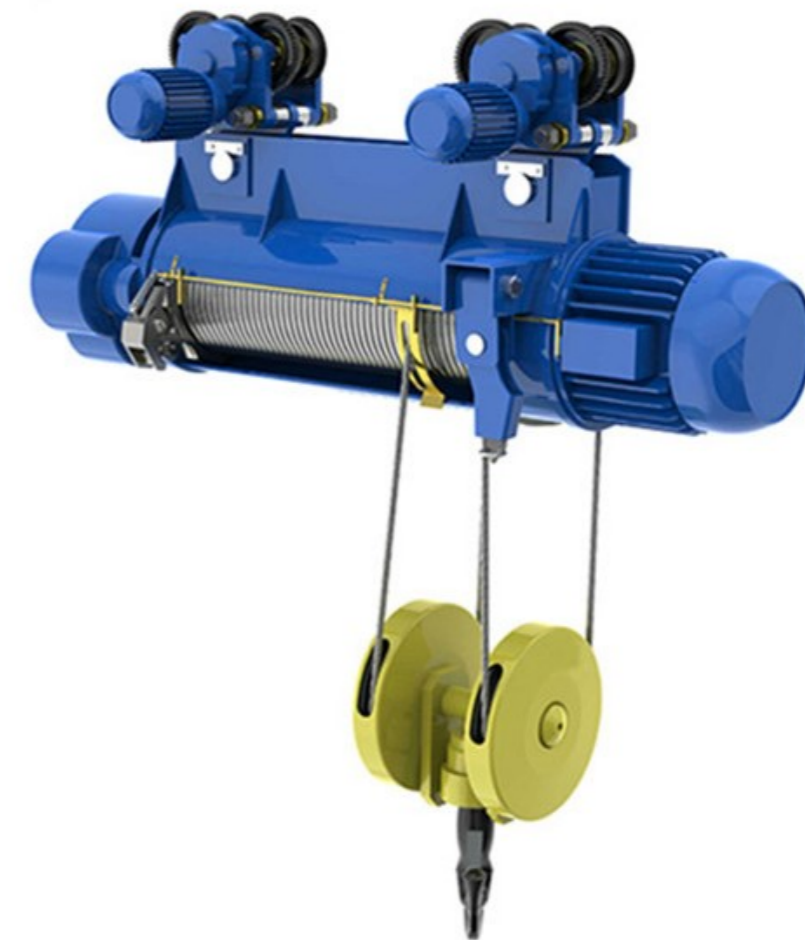
Guaranteed Quality

- Qualified components for every part
- 2 years warranty services



How to find out the best solution for lifting job?

Just Call **0086 373 5853727**



info@magicartcranes.com

Tel: +86 373 5853707 , +86 373 5853727

XINXIANG MAGICART CRANES CO., LTD

www.magicartcranes.com